

FEM/FEC Series

ISO 16028 Non-Spill Quick Couplings

Global Interchangeability with
Connect-Under-Pressure Option



FEM Series Getting Redesign and Performance Updates

FEM Series Couplings are designed to meet the stringent design and performance requirements of ISO 16028. The flush face valving eliminates hydraulic spillage and air inclusion when connecting or disconnecting.

The FEM Couplings are undergoing a redesign. The first sizes to get updated are 3/8", 1/2" and 3/4". The remaining body sizes - 1/4", 5/8" and 1" - will follow.

The couplings will continue to meet or exceed the ISO 16028 and HTMA (3/8" only) specification requirements.

The new design will include an appearance change and significant performance improvements such as:

- Increased pressure rating
- Improved corrosion resistance
- Improved flow performance

Contact Information:

Parker Hannifin Corporation

Quick Coupling Division

8145 Lewis Road

Minneapolis, MN 55427

phone 763 544 7781

fax 763 544 3418

www.parker.com/quickcouplings

Quotes & pricing

QCD.quote@support.parker.com

Orders

QCD.order@support.parker.com

Support & Customer Service

QCD.support@support.parker.com



FEM/FEC Series Features:

- Designed for use with construction, utility and agricultural equipment
- Meets or exceeds the design and performance requirements of ISO 16028 standard
- PVC dust caps have improved ozone resistance
- Compact Size
- Push-to-connect function for ease of use
- Steel body material with zinc nickel plating
- Polyurethane interface seals
- FEC nipple option allows connection under residual pressure



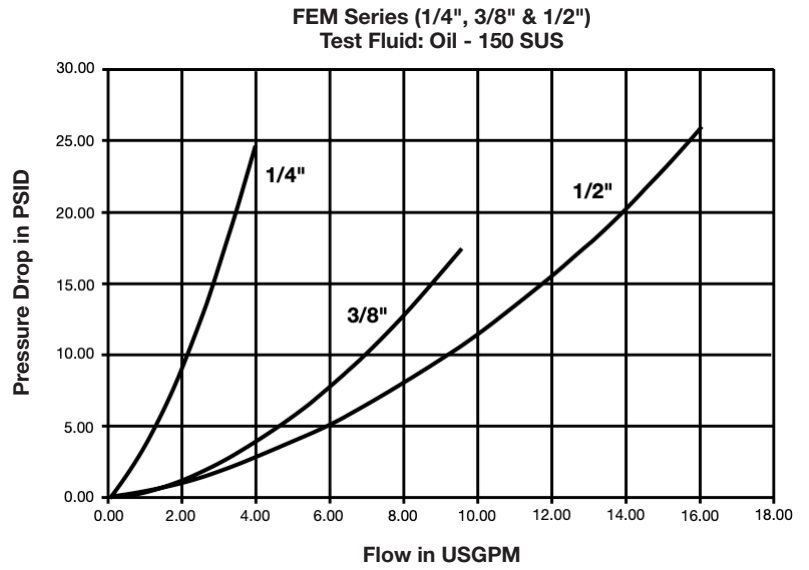
ENGINEERING YOUR SUCCESS.

FEM Series Specifications

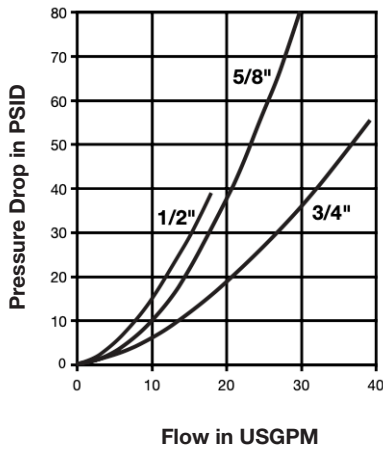
Body Size	Rated Pressure (psi)	Rated Flow (gpm)	Temperature Range
1/4	4568	3	-40° to +250°F
3/8	5000	6	
1/2	5000	12	
5/8	3625	20	
3/4	5000	26	
1	2900	50	



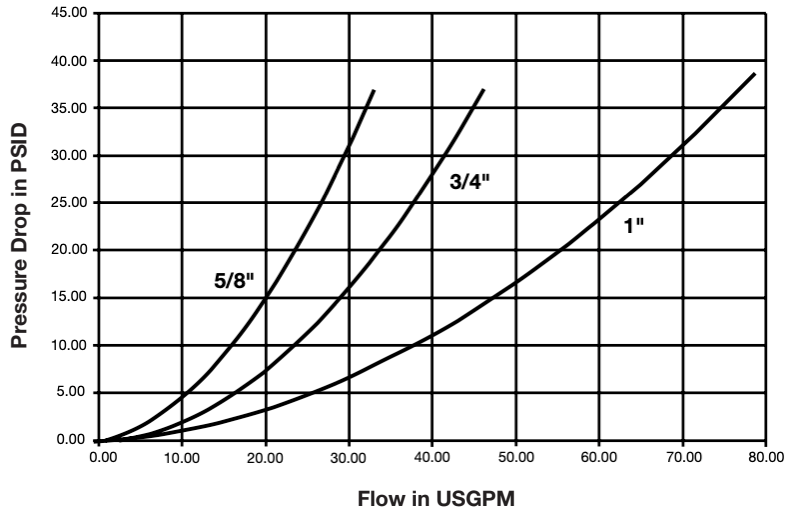
Performance



FEC Series (1/2", 5/8" & 3/4")
Test Fluid: Oil - 200 SUS



FEM Series (5/8", 3/4" & 1")
Test Fluid: Oil - 150 SUS



FEM Series PVC Dust Caps



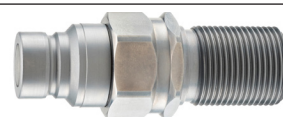
Body Size	Nipple Dust Cap	Coupler Dust Cap
1/4	CFE-252-PN	PFE-251-PN
3/8	CFE-372-PN	PFE-371-PN
1/2	CFE-502-PN	PFE-501-PN
5/8	CFE-622-PN	PFE-621-PN
3/4	CFE-752-PN	PFE-751-PN
1	CFE-1002-PN	PFE-1001-PN

FEM Series Couplers



Body Size	Part Number	Port End	Length (inch)	Coupled Length (inch) (when connected to corresponding nipple)	Largest Diameter	Wrench Flats	Weight (lbs)
1/4	FEM-251-4FP	1/4-18 NPTF	1.96	3.98	1.16	27mm	0.52
1/4	FEM-251-6FO	9/16-18 UNF	2.08	4.06	1.16	27mm	0.51
3/8	FEM-371-6FP	3/8-18 NPTF	3.06	5.02	1.26	30 mm	0.77
3/8	FEM-371-8FO	3/4-16 UNF	3.06	5.02	1.26	30 mm	0.74
3/8	FEM-371-8FB	G1/2 BSPP	3.17	5.23	1.31	30 mm	0.75
1/2	FEM-501-8FP	1/2-14 NPTF	3.26	5.74	1.59	36 mm	1.22
1/2	FEM-501-8FO	3/4-16 UNF	3.26	5.74	1.59	36 mm	1.22
1/2	FEM-501-8FB	G1/2 BSPP	3.07	5.35	1.59	36 mm	1.14
1/2	FEM-501-10FO	7/8-14 UNF	3.08	5.38	1.59	36 mm	1.12
1/2	FEM-501-12FO	1 1/16-12 UNF	3.26	5.74	1.59	36 mm	1.11
1/2	FEM-501-12FB	G3/4 BSPP	3.25	5.71	1.59	36 mm	1.14
5/8	FEM-621-12FO	1 1/16-12 UNF	3.70	5.64	1.69	40 mm	1.34
3/4	FEM-751-12FP	3/4-14 NPTF	3.88	6.17	1.97	46 mm	2.04
3/4	FEM-751-12FO	1 1/16-12 UNF	4.04	6.48	1.97	46 mm	2.10
1	FEM-1001-16FP	1-11 1/2-NPTF	4.21	6.79	2.36	55 mm	3.08
1	FEM-1001-16FO	1 5/16-12 UNF	4.21	6.79	2.36	55 mm	3.03

FEM Series Nipples



Body Size	Part Number	Port End	Length (inch)	Coupled Length (inch) (when connected to corresponding nipple)	Largest Diameter	Wrench Flats	Weight (lbs)
1/4	FEM-252-4FP	1/4-18 NPTF	1.71	3.98	0.96	22 mm	0.20
1/4	FEM-252-6FO	9/16-18 UNF	1.95	4.06	0.96	22 mm	0.19
3/8	FEM-372-6FP	3/8-18 NPTF	2.59	5.02	1.26	30 mm	0.48
3/8	FEM-372-8FO	3/4-16 UNF	2.59	5.02	1.26	30 mm	0.45
3/8	FEM-372-8FB	G1/2 BSPP	2.69	5.22	1.26	30 mm	0.47
1/2	FEM-502-8FP	1/2-14 NPTF	3.13	5.74	1.57	36 mm	0.84
1/2	FEM-502-8FO	3/4-16 UNF	3.13	5.74	1.57	36 mm	0.85
1/2	FEM-502-8FB	G1/2 BSPP	2.95	5.35	1.57	36 mm	0.77
1/2	FEM-502-10FO	7/8-14 UNF	2.95	5.38	1.57	36 mm	0.75
1/2	FEM-502-12FO	1 1/16-12 UN	3.13	5.74	1.57	36 mm	0.74
1/2	FEM-502-12FB	G3/4 BSPP	3.13	5.71	1.57	36 mm	0.76
5/8	FEM-622-12FO	1 1/16-12 UN	3.09	5.64	1.57	36 mm	0.72
3/4	FEM-752-12FP	3/4-14 NPTF	3.17	6.17	1.97	46 mm	1.35
3/4	FEM-752-12FO	1-1/16 12 UN	3.33	6.48	1.97	46 mm	1.42
1	FEM-1002-16FP	1-11 1/2 NPTF	3.85	6.79	2.36	55 mm	1.94
1	FEM-1002-16FO	1-5/16 12 UN	3.85	6.79	2.36	55 mm	1.90

FEC Series Nipples (Connect Under Pressure)

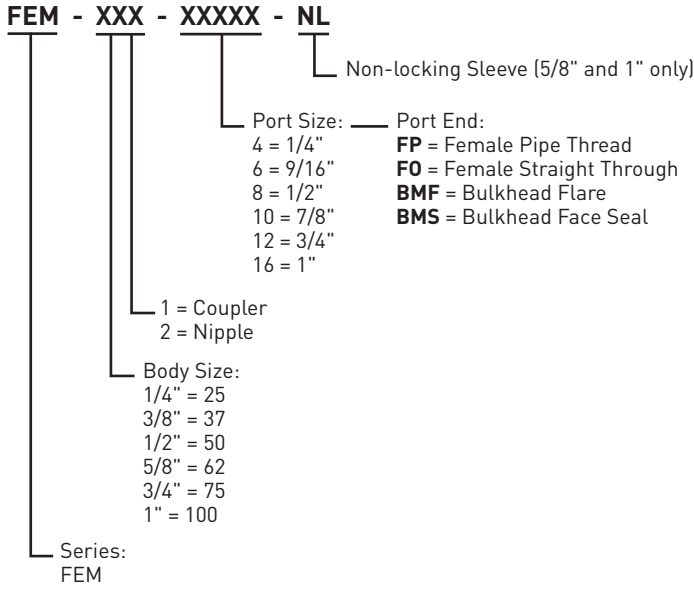


Body Size	Part Number	Port End	Length (inch)	Coupled Length (inch) (when connected to corresponding coupler)	Largest Diameter	Wrench Flats
1/2	FEC-502-8FP	1/2-14 NPSF	3.50	5.82	1.22	1.125
1/2	FEC-502-10FO	7/8-14 UNF	3.50	5.82	1.22	1.125
1/2	FEC-502-12FO	1-1/16-12 UNF	3.79	6.36	1.65	1.500
5/8	FEC-622-12FO	1-1/16-12 UN	3.39	5.94	1.65	1.500
3/4	FEC-752-12FO	1-1/16-12 UN	4.56	7.72	1.96	1.81

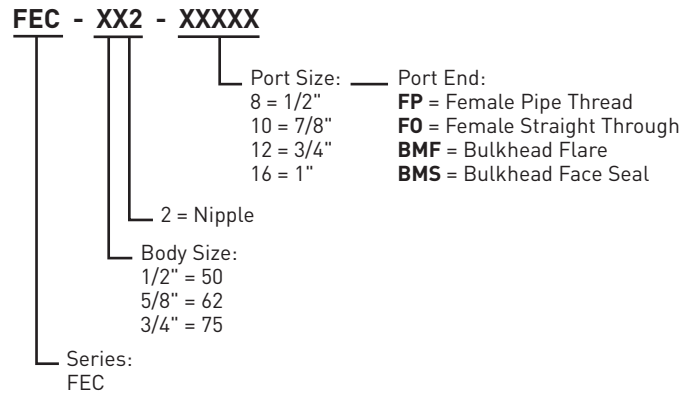
Standard Port Configurations: **FP** - Female Pipe Thread **FO** - Female Straight Thread **BMF** - Bulkhead Flare **BMS** - Bulkhead Face Seal
Contact QCD for availability and additional options.

Ordering Information

Couplers and Nipples



Nipples (Connect under Pressure)



FEM Series product options include:

- Stainless steel material
- Metric port ends
- 90° port
- Seal material options

Some options may be non-standard.
 Please contact QCD for availability, price and delivery.



FEM Series 90 Degree Port Option

Body Size	Part Name	Part Number	90 Port End	Length (inch)
1/2	FEM Coupler - 90	FEM-501-C6FO	9/16-18 UNF	3.26
1/2	FEM Coupler - 90	FEM-501-C6FP	3/8-18 NPTF	3.26
1/2	FEM Coupler - 90	FEM-501-C8FO	3/4-16 UNF	3.44
1/2	FEM Nipple - 90	FEM-502-C6FO	9/16-18 UNF	3.08
1/2	FEM Nipple - 90	FEM-502-C6FP	3/8-18 NPTF	3.08
1/2	FEM Nipple - 90	FEM-502-C8FO	3/4-16 UNF	3.26

Contact QCD for availability, price and delivery.